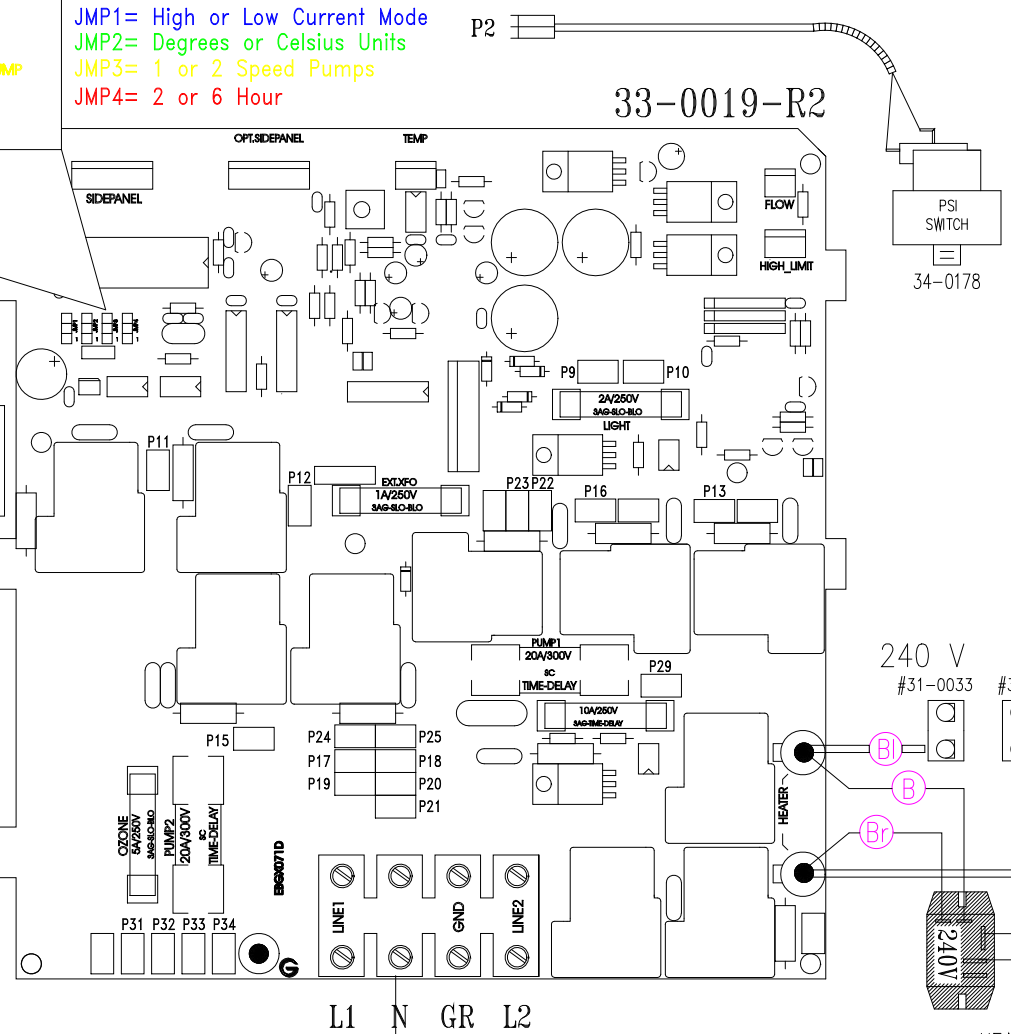
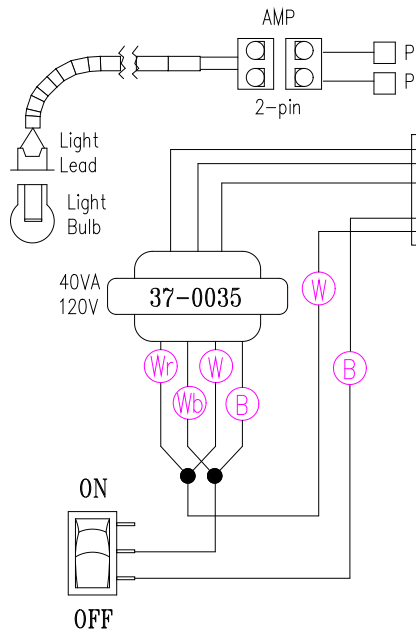


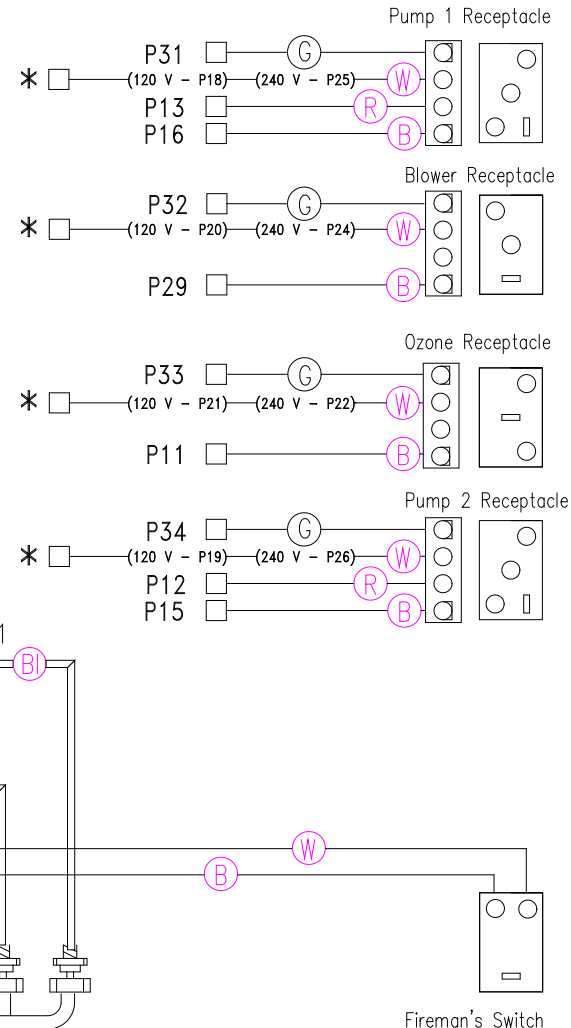
**JUMPER SETTINGS**

- JMP1 = HC MODE    = LC MODE
- JMP2 = °F UNITS    = °C UNITS
- JMP3 = 2 SPEED PUMP    = 1 SPEED PUMP
- JMP4 = 6-HOUR    = 2-HOUR

JMP1= High or Low Current Mode  
 JMP2= Degrees or Celsius Units  
 JMP3= 1 or 2 Speed Pumps  
 JMP4= 2 or 6 Hour



**\* VOLTAGE CONVERSION COMMON POINTS FOR PUMPS AND ACCESSORIES**



LEGEND	
	- 1/4" QUICK CONNECT
	- 1/4" QUICK CONNECT PIGGYBACK
	- FORK CONNECTOR
	- RING CONNECTOR
	- SOCKET CONNECTOR
	- PIN CONNECTOR

**HYDRO-QUIP**  
 CORONA, CA (909) 273-7575

Manufacture Notes:

**SHADED COMPONENTS ARE 240V**

Dwg. No. **H121A0-KPQY8-C**  
 Approved By:

Drawn **DJT**  
 Date **7.25.00**  
 Rev **8**  
 Diagram No. **5004-8**

Wire Color Code	
B - Black	G - Green
Br - Brown	Bl - Blue
R - Red	V - Violet
O - Orange	W - White
Y - Yellow	Gr - Gray

#1 For 120V Operation: a) Connect Lines 1 & 2 together  
 b) Install Heater plug into receptacle labeled 120V

For 240V Operation: a) Separate Lines 1 & 2  
 b) Install Heater plug into receptacle labeled 240V